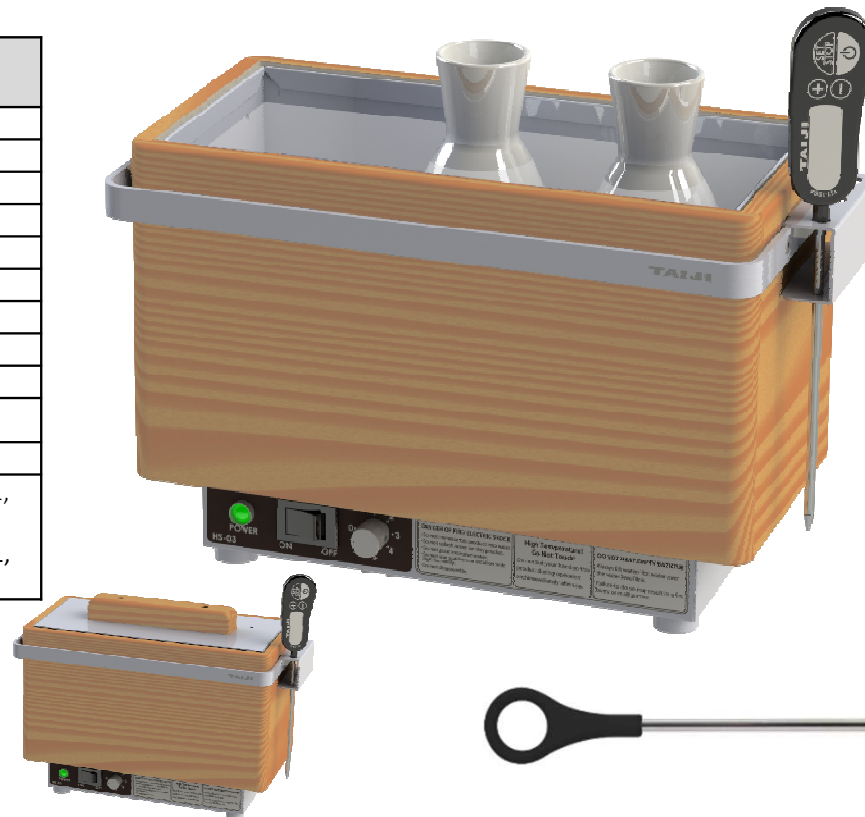


Sake Warmer HS-03 / Sake thermometer TST-100A

Countertop heartwarming presentation for serving tasty and perfect warmed sake.

Model	HS-03 Witty
Supply voltage	AC100-240V
Power consumption	200V / 500W
Outer dimensions	W300xD183xH231
Inner dimensions	W260xD116xH124
Capacity	360ml bottle x 3
	180ml bottle x 6
	Chirori tumbler x 3
	Water : 2.8L
Net weight	3kg
Temperature control	Variable thermostat
Cabinet inside temp.	30-90°C (86-194°F)
Accessories	Lid x1, Drain board x 1, Bottle Cap x 1, Sake thermometer x 1, holder x 1



Model	TST-100A
lithium battery	CR2032 x 1
Temperature measurement range	-50°C to 300°C
Dimensions / Net weight	length 223mm x W34 x Thickness15mm / 35g
Probe	Φ4x146
Accessories	Cap x 1 , lithium battery x 1

- Japanese cedar made sophisticated design
- Sake Sommelier model "Witty" provides advanced performance for expert

- Help you whether you are monitoring warmed sake with automatic alarm.
- Simple easy operation! Easy-to-read LCD display shows accurate temperature quick results.

The launch date for this item is scheduled on June 1st., 2017.

TAIJI

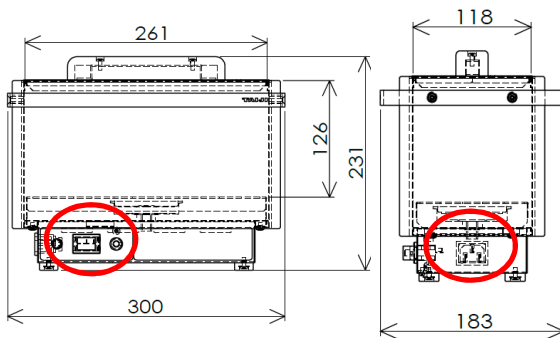
TAIJI Sake Sommelier HS-03 “Witty” feature

Cozy and witty presentation for serving tasty and perfect warmed sake.

- The warmth of a tree presentation by **Broiled Japanese cedar**
- **Compact and Sophisticated design - Perfect for counter table**
- **AC 100-240V with inlet plug can be use multi-country and multi-location**



- **Sake Sommelier model “Witty” provides advanced performance for expert.**
- **Various temperature** are available for various sake intended flavor.



Sake varieties & Recommended serving temperature

Sake Temperature	Sake Varieties				
	Daiginjo	Ginjo	Junmai	Honjozo	Futsu
“Atsu-kan” (Warmed) 50~55°C (122~131 °F)			○	○	○
“Jou-kan” (Moderately Warmed) 45~50°C (113~122 °F)			◎	◎	◎
“Nuru-kan” (Lukewarmed) 40~45°C (104~113 °F)			○	○	○
“Hito-Hada-kan” (Body Temperature) 35~40°C (95~104 °F)	○	○	○	○	○