

# INSTRUCTION MANUAL

---

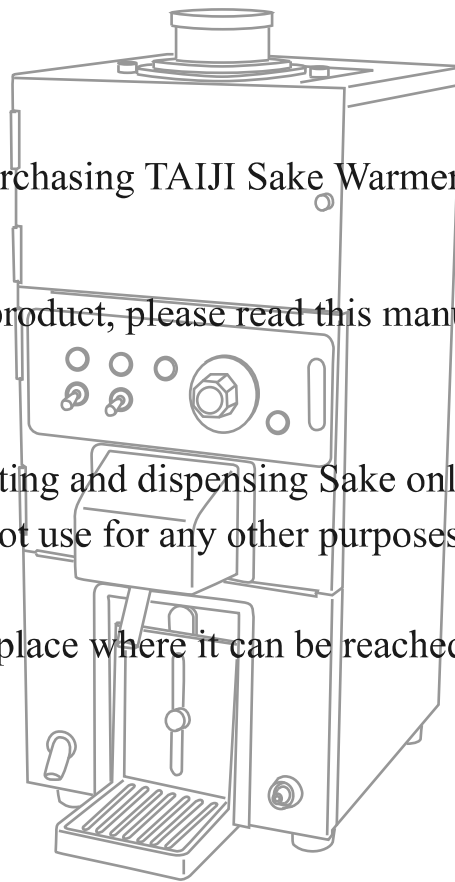
## TAIJI SAKE WARMER DISPENSER

---

MODEL : TSK-160

Thank you for purchasing TAIJI Sake Warmer Dispenser.

- Before operating this product, please read this manual for instructions and proper operation.
- This product is for heating and dispensing Sake only and intended for indoor use only. Do not use for any other purposes.
- Keep this manual in a place where it can be reached for immediate references.





### Table of Contents

■ Safety Precautions.....	2~3	■ Setting up.....	7~8
■ Applications.....	4	■ Operation.....	9
■ Operating Concepts.....	4	■ Maintenance.....	10~11
■ Parts Identification.....	5	■ Servicing / Specifications...	11
■ Installation.....	6		

# SAFETY PRECAUTIONS

- Please peruse these “Safety Precautions” carefully so that you can use your “Sake Warmer Dispenser” in the proper way.
- Please keep these “Safety Precautions” handy for future reference after being read.
- Precautionary measures referred to herein are matters which should be abided by for safe use and to prevent harm and/or damage being inflicted on yourself or others. Furthermore, the particulars of the precautionary measures have been classified into “Warning” and “Caution” to express the degree or extent of conceivable harm and damage which can be assumed to occur from mishandling. They are both of importance as far as safety is concerned and should be strictly abided by.

 <b>WARNING</b>	What is assumed to possibly result in death or serious injury.
 <b>CAUTION</b>	What is assumed to possibly result only in bodily injury or physical damage.

- What precautionary measures should be abided by are expressed by certain marks and explained as follows:



△ mark denotes that “Warning and caution is urged.”  
(The one on the left indicates beware of electrical shock.)




⊘ mark with a diagonal line means “Forbidden.”  
(The one on the left indicates disassembling forbidden.)









● indicates “Instructions” which should be followed by all means.  
(The one on the left indicates grounding is a requirement.)

---

 **WARNINGS:** Failing to adhere to the following warnings may cause danger to human life or inflict a severe injury.

---

-  • Install this product on a level, steady surface.
-  • Do not disassemble, tamper or attempt to repair this product. Contact your distributor for servicing.
-  • Do not immerse this product in water or splash water on this product.
-  • This product is not suitable for installation in an area where a water jet could be used.
-  • Do not use this product outdoors.  
This product is for indoor use only.
-  • This product is to be operated by persons who understand its functions and operations. Keep children away from this product or any other commercial appliances.

- ❗ • This product should be connected to an exclusive wall outlet supplying power of AC220-240V and 10A (minimum). Do not use an extension cord.

---

- ❗ • Avoid damaging the power cord. Do not place any object on the cord. Do not nip or tamper with the cord. Keep the cord away from any heat sources.

---

- ⊘ • Do not tamper with the plug blades.

---

- ❗ • Contact a disposal service provider, municipal government office or your distributor for proper disposal of this product according to environmental regulations.

---

**⚠ CAUTIONS:** Failing to adhere to the following cautions may result in personal injuries or property damages.

- ❗ • Properly and promptly discard the packaging materials such as plastic bags.

---

- ⊘ • Do not operate this product if it has been damaged or dropped.

---

- ⊘ • Do not operate this product if the power cord or plug is damaged.

---

- ⊘ • Do not pull the plug pulling by the cord. Pull the plug from the base of it when inserting into or removing from the outlet.

---

- ❗ • Make sure your hands are dry when plugging/unplugging the power plug or turning on/off the power switch.

---

- ❗ • When not in use, remove the plug from the outlet.

---

- ⊘ • Do not use this product for other than heating Sake (Japanese rice wine).

---

- ⊘ • Avoid contacting with the Sake heating unit as it gets hot during operation.

---

- ❗ • Be very careful when pouring heated Sake into a Sake server bottle.

---

- ⊘ • This product can be used by children aged from 16 years and above and persons with reduced physical, sensory or mental capabilities or lack of experience and knowledge if they have been given supervision or instruction concerning use of the product in a safe way and understand the hazards involved.

---

- Children shall not play with the product.

---

- Cleaning and user maintenance shall not be made by children without supervision.

---

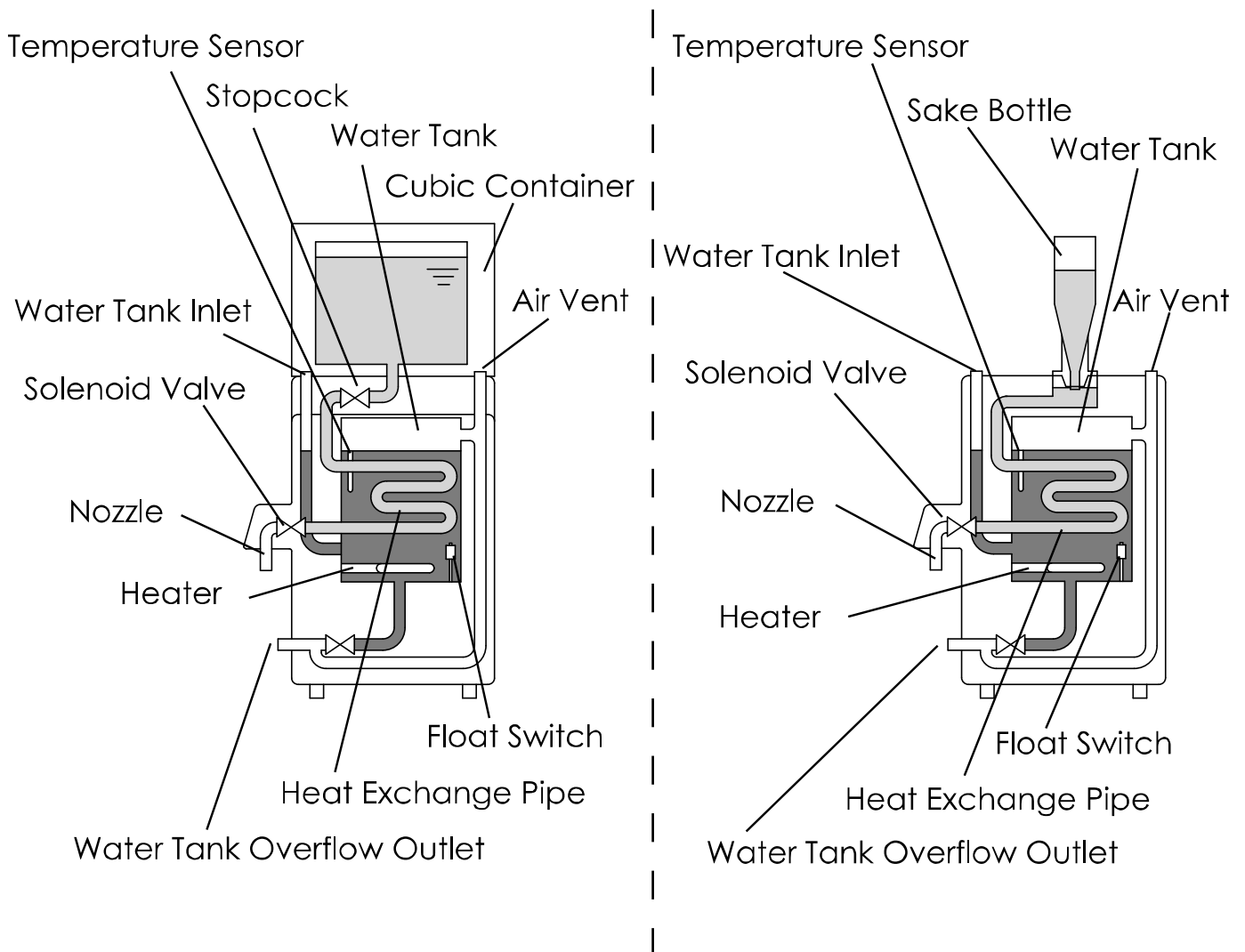
# APPLICATIONS

This product is intended for heating Sake only.  
The product should not be used outdoors.

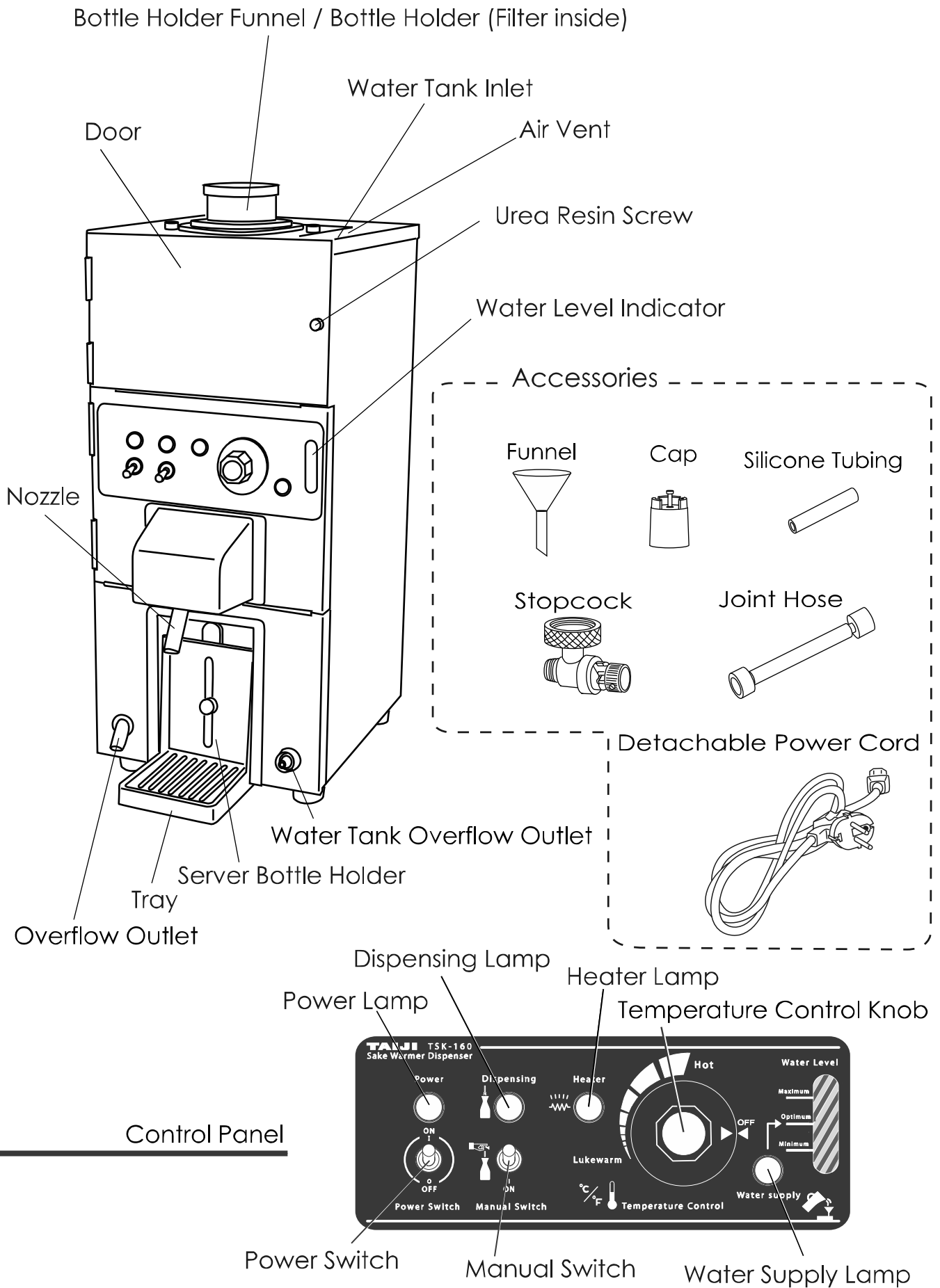
# OPERATING CONCEPTS

This product is an electric Sake heater.

- Sake is fed into the stainless steel heat exchange pipe.
- The stainless steel pipe runs through the water.
- The water bath is heated by the heater.
- The water temperature is monitored by the temperature sensor and controlled by the temperature control device.



# PARTS IDENTIFICATION



# INSTALLATION

1. Take the unit out of the shipping carton and remove all packaging materials. Check that all parts and accessories are included with the unit.
2. For installing, the location must have/be:
  - A level and steady surface
  - Sufficient space for air circulation around the unit
  - Be at least 50 cm away from any heat source
  - No direct sunlight
  - Avoid high-humidity areas and areas near water
  - Use the equipment splash condition as per "IPx5" as the minimum guideline.

**⚠ WARNINGS:** This product is not suitable for installation in an area where a water jet could be used.

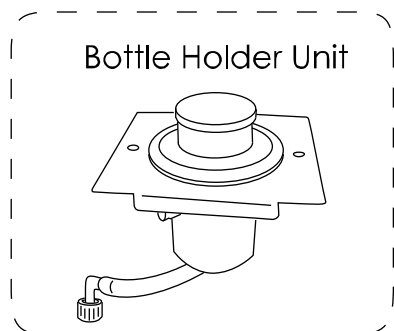
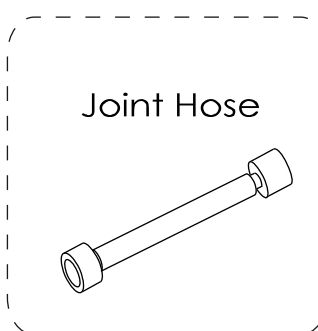
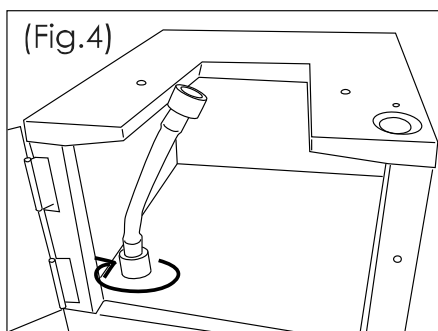
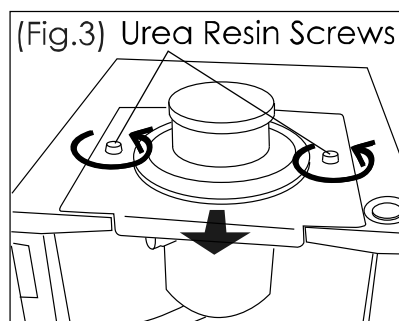
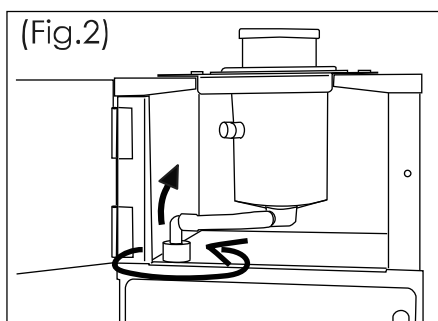
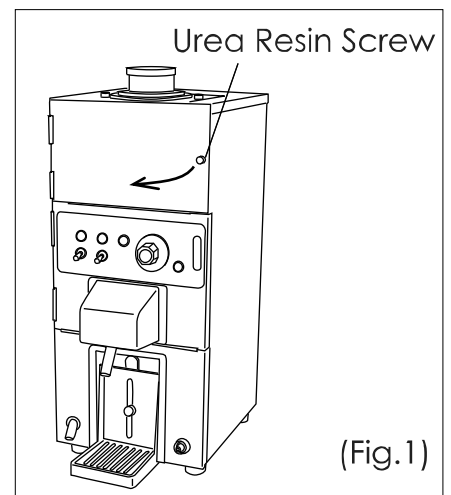
### 3. Initial uses:

Before operating this product for the first time, clean the interior of the main unit by following the instructions in the "Maintenance/Daily Cleaning" section of this manual.

### 4. How to change Sake feeder; Bottle Type to Cubic Container Type:

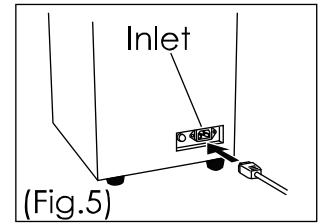
For using Cubic container type, set up the machine as follows.

- 1) Loosen the Urea resin screw and open the door. (Fig.1)
- 2) Remove a joint between the main unit and Bottle holder. (Fig.2)
- 3) Remove two Urea resin screws and remove the Bottle holder unit. (Fig.3)
- 4) Screw the Joint hose (accessory) into the main unit. (Fig.4)



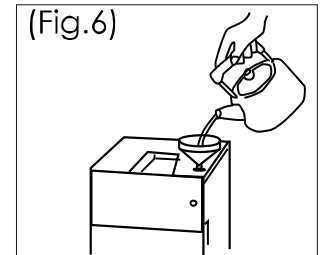
# SETTING UP

1. Insert the Power supply cord into the inlet. (Fig.5)
2. Connect the power cord to an exclusive wall outlet with an AC220V-240V and 10A (minimum) power source. Do not use an extension cord.

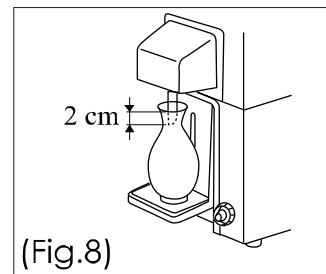
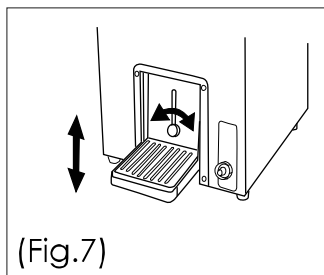


3. Make sure the Water tank overflow outlet is closed.
4. Make sure the water level in the Water Tank is at the “optimum” level.  
To add water:

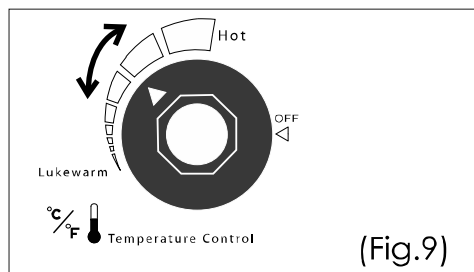
- Slowly add water using the accessory funnel. (Fig.6)
- Always fill water until the “Optimum” level on the water level indicator.
- The Water tank holds approximately 4.7 liter of water.
- Excessive water (beyond the maximum level) will be discharged through the overflow outlet.



5. Adjust the height of the Sake server bottle holder according to the size of your Sake serving bottles. (Fig.7 & 8)



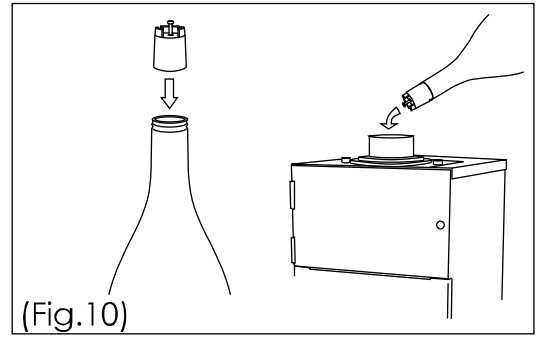
6. Turn the power switch on. Set the Sake temperature to your favorite temperature by turning the temperature control knob. (Fig.9)



7. Set Sake (1.8-liter Sake bottle or Cubic container) to the dispenser.

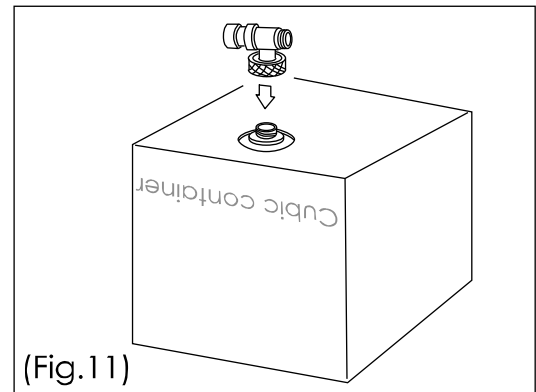
## Bottle Type

- 1) Put the accessory cap to a Sake bottle. (Fig.10)
- 2) Make sure the Nozzle has been pulled up.
- 3) Insert the Sake bottle in the Bottle holder funnel. (Fig. 10)

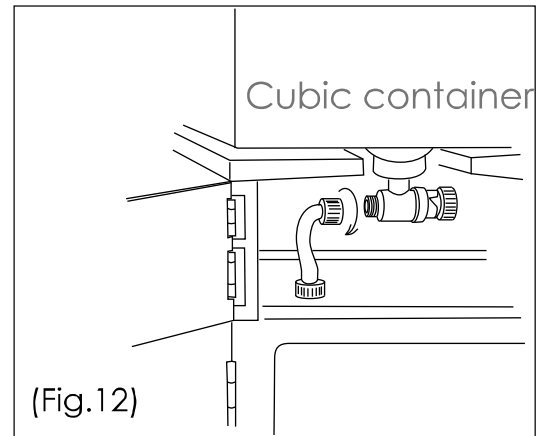


## Cubic container Type

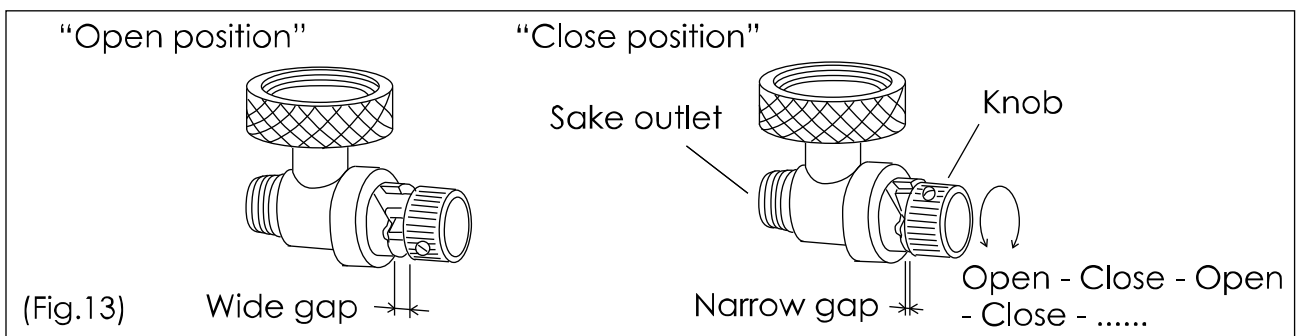
- 1) Remove a cap of the Cubic container.
- 2) Check the knob of the Stopcock is set at the closed position. (Fig. 13)  
Then, screw it into the mouth of the container. Be sure the outlet of the Stopcock facing to the right. (Fig. 11)  
\*Sake will leak out if this screw-in process proceeds improperly.



- 3) Place the cubic container on the top of the unit and position the mouth of the container downward. The Sake outlet of the Stopcock should face to the left. (Fig. 12)



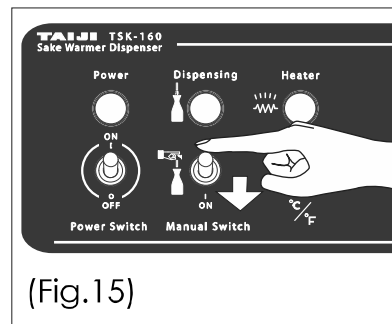
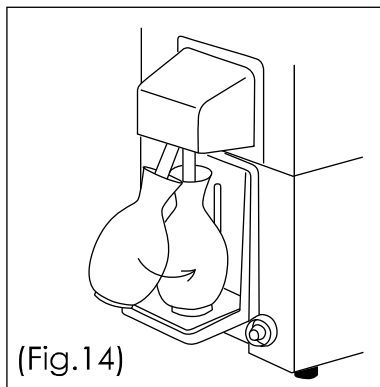
- 4) Screw the Joint hose into the outlet of the Stopcock. This joint connects Cubic container and the dispenser main body. (Fig. 12)
- 5) Before dispensing, make sure the Stopcock and Joint hose are firmly fastened. Also, check the Nozzle has been pulled up.
- 6) Turn the knob of the Stopcock to the right and adjust it to the "Open position". (Fig.13)





# OPERATION

1. Wait until the Heater lamp goes off.  
After turning on the unit, the Heater lamp will be lit.  
The Sake is at the set temperature when the lamp is off.
2. Fit the Nozzle (Sake outlet) into the mouth of the Sake server bottle into the Nozzle (Sake outlet).  
Lightly push the bottle until the Nozzle is straight down, and place it onto the Server bottle holder. (Fig.14)
3. The Dispensing lamp will be turned on - the warmed Sake begins to come out.
5. When the Sake in the server bottle touches the tip of the Nozzle, the Dispensing lamp will be turned off.  
\*If you want to dispense more Sake, pull down the Manual switch. (Fig.15)
6. Remove the server bottle by the reverse procedure of step 2.




## Cautions:

- Be very careful not to burn yourself as the Sake may be quite hot depending on the temperature setting.
- At the beginning of each operating session, pour out a little amount of Sake to check the temperature and to make sure that it does not contain any impurities such as water left behind from cleaning.
- Dispensing a large amount of Sake at one time or operating in a cold environment may lower the temperature of Sake being dispensed. Adjust the temperature setting to compensate for the effects of such circumstances.

 CAUTIONS: Be careful not to scald yourself with hot water.

## Daily Cleaning

 CAUTIONS : To prevent machine failures and accidents do not wash or clean the equipment by water-Jet or similar method.

## Bottle Type

1. Pull out the Sake bottle and drain the Sake left in the dispenser.  
Discard the Sake or you may use it for cooking.  
To drain Sake, pull the Manual switch and wait until the Sake stops coming out.
2. Remove the Sake server bottle holder. Place an empty container under the Nozzle of the dispenser.
3. Remove the Bottle holder funnel. Feed hot water (below 70°C) to the bottle holder.
4. Pull the Nozzle down or pull the Manual switch down.  
\*Do not use any detergent.  
Hot water comes out of the Nozzle and the inside of the pipes are cleaned.  
Repeat the step No. 2~4 three times or so.
5. Turn off the Power switch.
6. Pull out the power plug from the outlet.

## Cubic container Type

1. Close the Stopcock of the cubic container.
2. Dispense all Sake left inside the dispenser.  
Discard the Sake or you may use it for cooking.
3. Remove the cubic container from the top of the dispenser.
4. Set the Bottle holder unit. (Ref. P6 No.4)
5. Go to the section of Daily Cleaning, Bottle Type, No.2-6

## External Components

Wash the following external components with hot water.

- Sake server bottle holder
- Bottle holder funnel, Bottle holder, filter, Cap (Bottle Type).

At the beginning of the next operating session, dispense a small amount of Sake, since a small amount of cleaning water may remain in the system after cleaning.  
Discard or use this Sake for cooking.

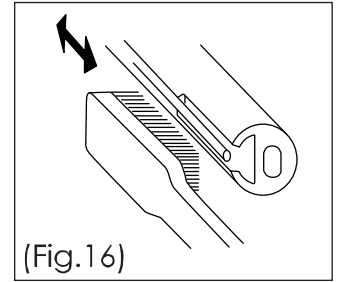
## Main Unit

### 1. Body

- 1) Wipe with dry or tightly-wrung wet cloth.  
\*Never use any solvent such as thinner or benzene.

### 2. Nozzle

- 1) Clean the Nozzle one or twice, or even more, each month.
- 2) Gently scrub the sensor electrode on the tip of the Nozzle with a tooth brush.(Fig. 16)



### 3. Water Tank

Replace the water in the Water tank at least once a month.

Make sure the water bath is completely cooled down before draining water.

- 1) Connect Silicone tubing to the Water tank overflow outlet .
- 2) Open the Water tank overflow outlet to drain water.

## SERVICING

- For servicing of this product, please contact your distributor, nearest TAIJI sales representative or TAIJI & CO., LTD.
- If the Power supply cord is damaged, it must be replaced by the manufacturer, its service agent or similarly qualified persons in order to avoid a hazard.

TAIJI & CO., LTD.

8-2, Okawa-cho, Kawasaki-ku, Kawasaki-shi, Kanagawa-pref., 210-0858, Japan

TEL : +81-44-329-6338

FAX : +81-44-329-5860

E-mail : overseas@taiji.co.jp

URL : <http://www.taiji.co.jp/e>

## SPECIFICATIONS

Model	TSK-160
Power Supply	Single Phase 220-240V, 50/60Hz
Power Consumption	1375-1500W
Temperature Control	Variable Thermostat
Heating Method	Indirect heating via waterbath
Sake feeder	1.8L Sake bottle or 18L Cubic container
Safety Device	Line Fuse 10A
Dimensions	W250mm x D375mm x H598mm
Weight	Weight 10.4Kg
Ambient Temperature	5° C to 40° C
Accessories	Funnel, Cap, Silicone Tubing, Stopcock, Joint Hose, Detachable Power Cord

Silicone tubings and Sake flow part materials are complied with Japan Food Sanitation Act.

\* Specifications subject to change without notice

